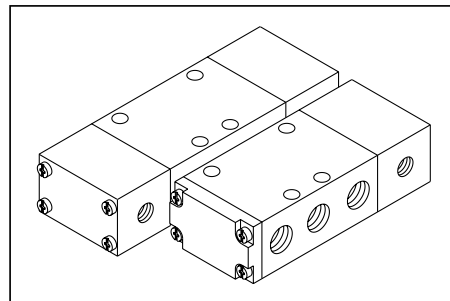


### G 1/4 - 5/2 Modular Spool Pilot Valves

- Sturdy and rugged in construction.
- Choice of side porting and sub base porting.
- Valves are available in single pilot and double pilot design.
- Facility of gang manifolding for sub base type valves.
- Also available in 5/3 version.

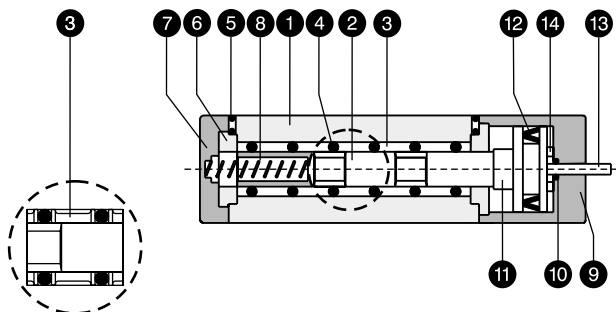


#### PART LIST

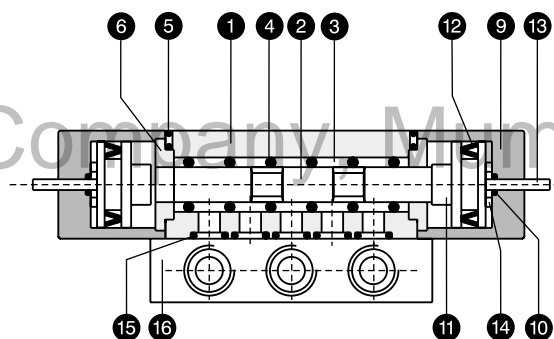
NO.	DESCRIPTION	QTY.	
		Single Pilot	Double Pilot
1	Valve body	1	1
2	Spool	1	1
3	Shell	5	5
4	'O' ring ( Cage )	6	6
5	'O' ring ( Body )	4	4
6	Bush	2	2
7	Spring housing	1	--
8	Spring	1	--
9	Pilot housing	1	2
10	'O' ring for plunger	1	2
11	Piston	1	2
12	'U' cup for piston	1	2
13	Plunger	1	2
14	Washer for pilot housing	1	2
15	Sub base 'O' ring*	5	5
16	Sub base plate*	1	1

Seal kit consists of items 3, 4, 5, 10, 12 & 15 ( with sub base kit only )

\*For sub base valve only.



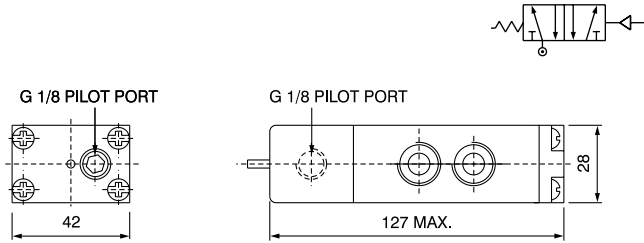
5/2 Single pilot valve ( Side ported design )



5/2 Double pilot valve ( Sub base design )

Atlas Engineering Company Mumbai

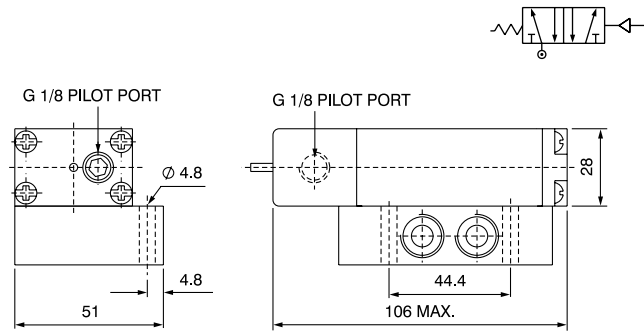
**G 1/4 - 5/2 SINGLE PILOT MODULAR SPOOL VALVE**



Side Ported Design

**PART NOS.**

	Side ported valve	Valve with sub base plate	Seal kit for side ported valve	Seal kit for sub base valve
Pilot operated Spring return	53004 PS	53204 PS	SK 53004 PS	SK 53204PS
Base plate for Sub base valve	BS 14			



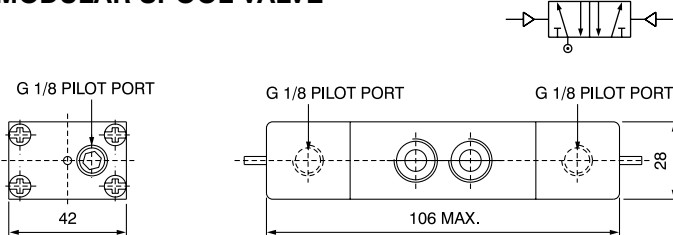
Sub Base Design

**SPECIFICATIONS**

Medium	Compressed air, Filtered
Design	Spool type with spring return
Working pressure	2.5 - 10 Bar
Ambient / fluid temp.	- 10° to 85° C
Cv ( Nominal flow )	1.0 ( 1000 lit/min.)
Response time at 5 Bar	On time : 10 ms. Off time : 35 ms.
Materials	Body : Aluminium Seals : NBR
Pilot port size	1/8" BSP

Atlas Engineering Company, Mumbai

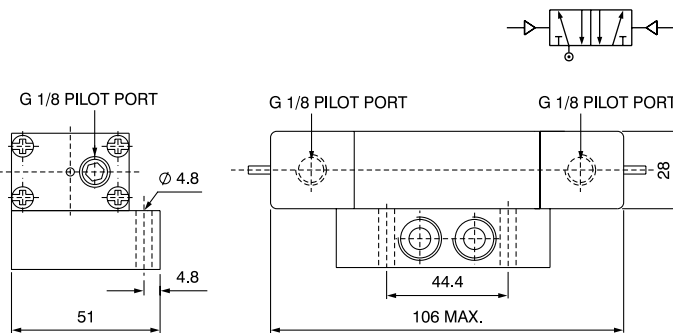
**G 1/4 - 5/2 DOUBLE PILOT MODULAR SPOOL VALVE**



Side Ported Design

**PART NOS.**

	Side ported valve	Valve with sub base plate	Seal kit for side ported valve	Seal kit for sub base valve
Pilot operated	53004 PP	53204 PP	SK 53004 PP	SK 53204PP
Base plate for Sub base valve	BS 14			



Sub Base Design

**SPECIFICATIONS**

Medium	Compressed air, Filtered
Design	Spool type
Working pressure	1.5 - 10 Bar
Ambient / fluid temp.	- 10° to 85° C
Cv ( Nominal flow )	1.0 ( 1000 lit/min.)
Response time at 5 Bar	10 ms.
Materials	Body : Aluminium Seals : NBR
Pilot port size	1/8" BSP