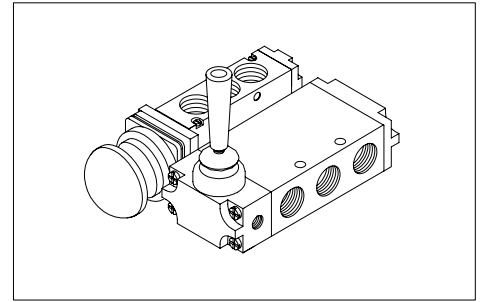


G3/8, 1/2 – Manually Operated High Flow Valves

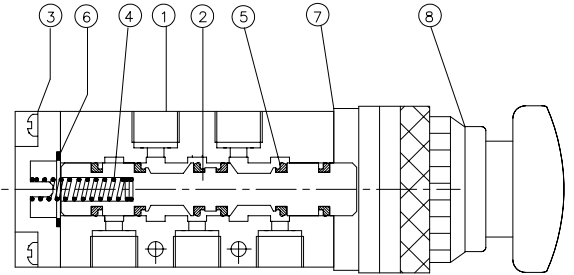
- * Streamlined Construction
- * Contoured dynamic seals ensures longer life
- * Higher Flow Capacities



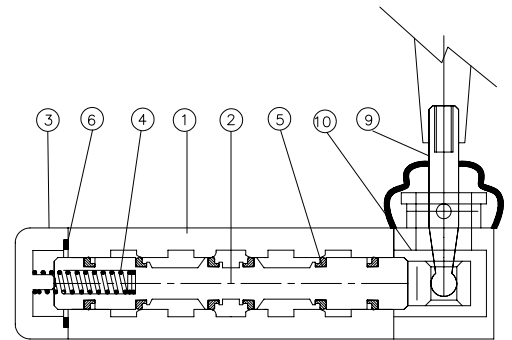
PART LIST- 5/2 WAY VALVES

NO.	DESCRIPTION	QTY.	
		Hand lever	Mushroom Button
1	Valve body	1	1
2	Spool	1	1
3	Spring housing	1	1
4	Spring	1	1
5	Spool Seal	6	6
6	Gasket	1	1
7	Mounting Plate	-	1
8	Mushroom type knob	-	1
9	Lever	1	-
10	Hand lever housing	-	1

Seal kit consists of items (2+ 5) & 6



5/2 Mushroom button High Flow valve

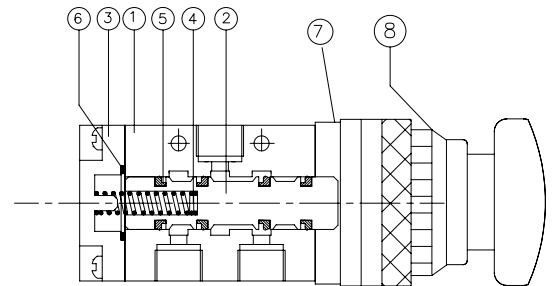


5/3, 5/2 Hand lever High Flow valve

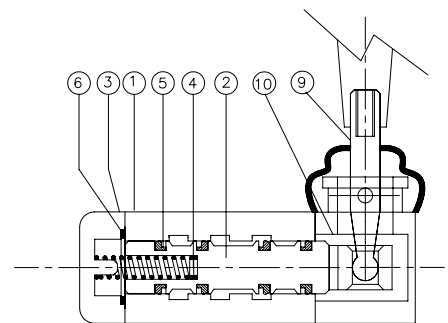
PART LIST- 3/2 WAY VALVES

NO.	DESCRIPTION	QTY.	
		Hand Lever	Mushroom Button
1	Valve body	1	1
2	Spool	1	1
3	Spring housing	1	1
4	Spring	1	1
5	Spool Seal	4	4
6	Gasket	1	1
7	Mounting Plate	-	1
8	Mushroom type knob	-	1
9	Lever	1	-
10	Hand lever housing	-	1

Seal kit consists of items (2+ 5) & 6

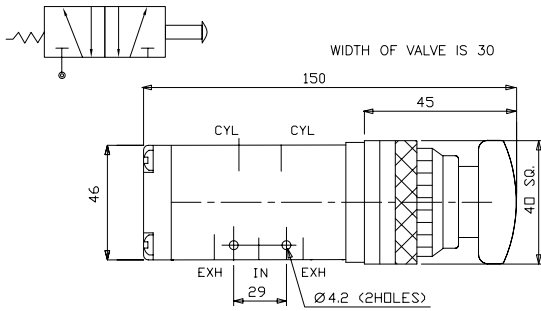


3/2 Mushroom button High Flow valve



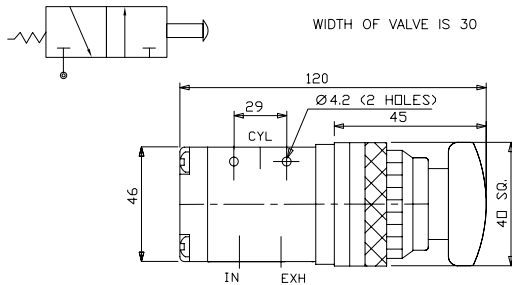
3/2 Hand Lever High Flow valve

G3/8, G1/2 -5/2, 3/2 MUSHROOM BUTTON HIGH FLOW VALVE



5/2 Mushroom Button High Flow Valve

Type	Side ported Valve	Seal kit
G3/8 5/2 Mushroom Button Valve	83004 MS	SK 93004
G3/8 3/2 Mushroom Button Valve	83003 MS	SK 93003
G1/2 5/2 Mushroom Button Valve	93004 MS	SK 93004
G1/2 3/2 Mushroom Button Valve	93003 MS	SK 93003

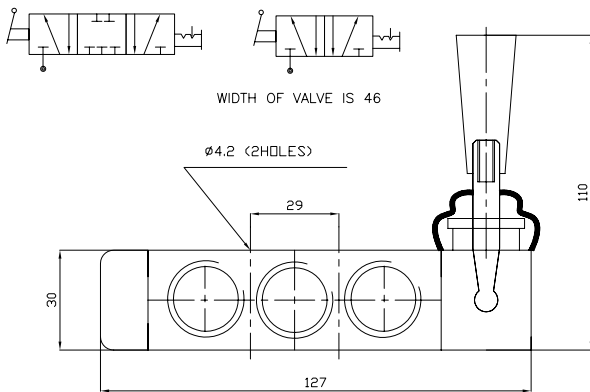


3/2 Mushroom Button High Flow Valve

SPECIFICATION

Medium	Compressed Air, Filtered
Design	Spool Type With Air Spring Return
Working Pressure	1.5– 10 Bar
Ambient/Fluid Temp.	-10° C to 55° C
Cv(Nominal Flow)	2.2(2200 lit/min)
Materials	Body,Spool :- Aluminium Seals:- NBR

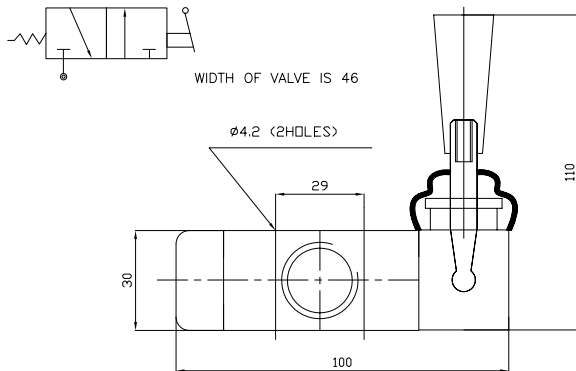
G3/8, G1/2 -3/2, 5/2 & 5/3 HANDLEVER HIGH FLOW VALVE



5/3, 5/2 Hand lever High Flow Valve

Type	Side ported Valve	Seal kit
G3/8 5/2 Handlever Valve	83004L	SK 93004
G3/8 5/3 Handlever Valve	83004L*	SK 93004
G3/8 3/2 Handlever Valve	83003L	SK 93003
G1/2 5/2 Handlever Valve	93004L	SK 93004
G1/2 5/3 Handlever Valve	93004L*	SK 93004
G1/2 3/2 Handlever Valve	93003L	SK 93003

* - Add appropriate suffix of X-Neutral, Y- Negative, Z- Positive



3/2 Hand lever High Flow Valve

SPECIFICATION

Medium	Compressed Air, Filtered
Design	Handlever actuated 3 position self centered
Working Pressure	1.5–10 Bar
Ambient/Fluid Temp.	-10° C to 55° C
Cv(Nominal Flow)	2.2(2200 lit/min)
Materials	Body,Spool :- Aluminium Seals:- NBR