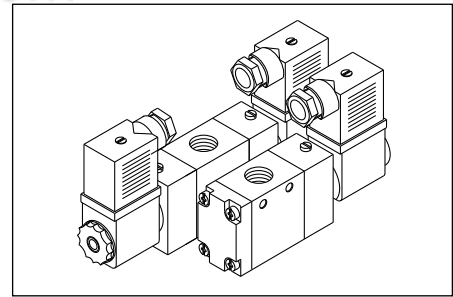


G 1/4 - 3/2 Solenoid Operated High Flow Valve (Maxflow series)

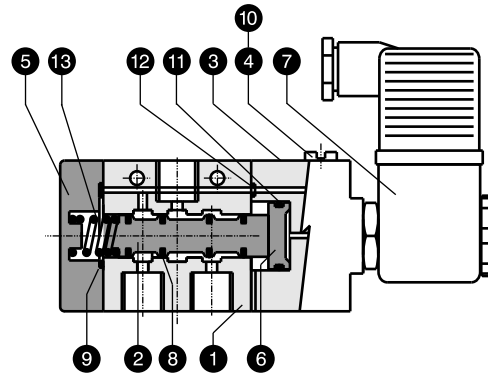
- Streamlined construction.
- Contoured dynamic seals ensures longer life.
- Higher flow capacities.
- Manual override as a standard feature.
- Available with 3W and 10W coil.



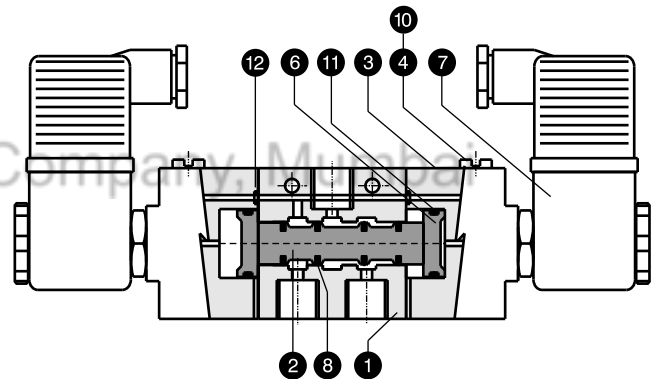
PART LIST

NO.	DESCRIPTION	QTY.	
		Single Sol.	Double Sol.
1	Valve body	1	1
2	Spool	1	1
3	Solenoid housing	1	2
4	Manual override pin	1	2
5	Spring housing	1	-
6	Piston	1	2
7	Coil with plug in connector	1	2
8	Spool seal	4	4
9	Gasket	1	-
10	M. O. pin 'O' ringt	1	2
11	Piston 'O' ring	1	2
12	Solenoid housing 'O' ring	1	2
13	Spring	1	-

Seal kit consists of items (2+8), 9, 10, 11 & 12



3/2 Single Solenoid High Flow Valve



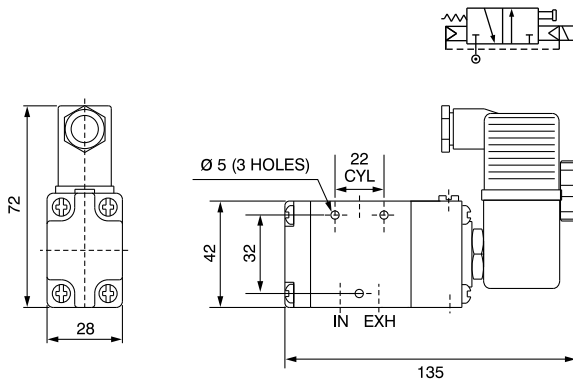
3/2 Double Solenoid High Flow Valve

COIL SPECIFICATIONS

TYPE	VALVE WITH (G25 - 3W) COIL	VALVE WITH (G50 - 10W) COIL
Construction	SS plunger with NBR seals, SS magnet core assembled with brass adaptor	
Coil Voltage	AC : 24, 110, 230V 50 HZ DC : 12, 24, 110 V	AC : 24, 110, 230V 50 HZ DC : 12, 24, 110 V
Voltage Range	±10 %	+ 10% / - 15%
Power consumption	AC : Pull : 7.5 VA, Hold : 5 VA DC : 3 WATT	AC : Pull 21VA, Hold : 14VA DC : 10 WATT
Duty cycle	100%	
Class of insulation	F (Winding wire of class 'H' insulation)	
Degree of protection	IP 65	
Cable connector	PG 9 (DIN 43650)	PG 11 (DIN 43650)

Valves with G50 coil can also be offered flame proof coil as per IS/IEC 60079-1:2007 (duly certified by CIMFR, Dhanbad.)

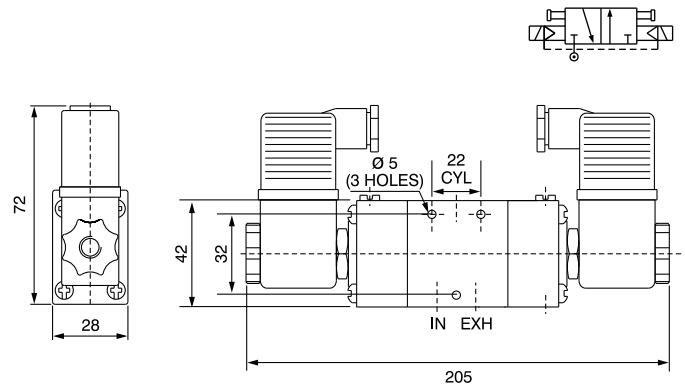
**G 1/8 - 3/2 SINGLE SOLENOID
HIGH FLOW VALVE**



SPECIFICATIONS

Medium	Compressed air, filtered
Design	Spool Type with Air Spring Return
Working pressure	2.5 - 10 Kg./sq.cm.
Ambient / fluid temp.	-10°C + 55°C
Cv (Nominal flow)	1.3 (1300 L/min.)
Response time at 5 bar	On time : 10 ms. Off time : 35 ms.
Manual override	Screw Type, Detent
Optional features	PIC with light indicator External pilot actuation
Materials	Body : Aluminium (Optional: Brass/SS304/SS316) Spool : Aluminium Seals : NBR / HNBR / VITON

**G 1/8 - 3/2 DOUBLE SOLENOID
HIGH FLOW VALVE**



SPECIFICATIONS

Medium	Compressed air, filtered
Design	Spool Type
Working pressure	2 - 10 Kg./sq.cm.
Ambient / fluid temp.	-10°C + 55°C
Cv (Nominal flow)	1.3 (1300 L/min.)
Response time	On time : 10 ms.
Manual override	Screw Type, Detent
Optional features	PIC with light indicator External pilot actuation
Materials	Body : Aluminium (Optional: Brass/SS304/SS316) Spool : Aluminium Seals : NBR / HNBR / VITON

ORDERING INFORMATION

A	4 3	0 1	3	B R	E P	N	-	2 3 0	A C	-	L
A - 3 watt coil G - 10 watt coil	1 - Single Sol. 2 - Double Sol.	NIL - Std. Aluminium BR - Brass S4 - SS304 S6 - SS316	NIL - Std. EP - External pilot	NIL - BSP N-NPT	Coil Voltage 230 - 230V 110 - 110V 48 - 48V 42 - 42V 24 - 24V 12 - 12V * 440V/48V/42V/12V on request	AC - AC voltage DC - DC voltage	NIL - Without PIC/LED P - PIC G25/G50 L - LED G25/G50				

Note : For Brass/ SS304/ SS316 MOC valve. All internal component will be same standard valve except body, spring housing & solenoid housing, for dimensional details consult factory.

ORDERING INFORMATION SEALKIT

Types	Port	Seal kit side ported
Single Sol.	1/4"	SKM14013
Double Sol.	1/4"	SKM14023