

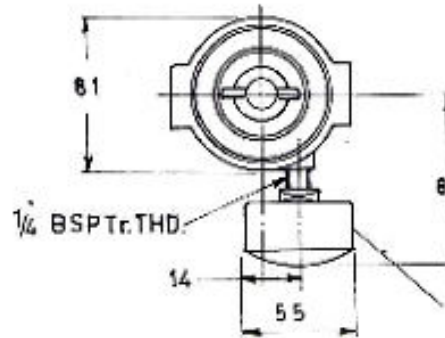
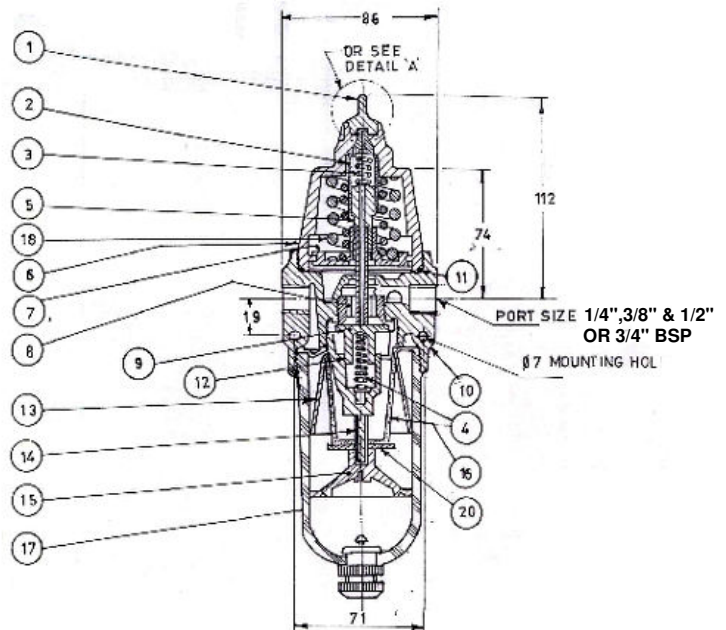
G 1/4 - G 3/4 Filter/Regulator

- Schrader Combination Unit Air Filter / Regulator combines Filter and Regulator into one compact unit.
- Saves money, saves space
- Wide choice of Secondary Pressure and filter elements.



PART LIST

NO.	DESCRIPTION	QTY.
1	Konb Assembly	1
2	Coupling	1
3	Coupling Spring	1
4	Valve	1
5	Adj. Screw Assembly	1
6	Bonnet	1
7	Piston Assembly	1
8	Valve Seat	1
9	Valve Assembly	1
10	Body Assembly	1
11	Gasket	1
12	Seal	1
13	Deflector	1
14	Filter Guide	1
15	Baffle	1
16	Element	1
17	Bowl Assembly	1
18	Spring	1
19	Gauge	1
20	Shield Filter	1
21	Spring	1



SPECIFICATIONS

Pipe Threads	G 1/4, 3/8, 1/2, 3/4	BSP (F)	-	Standard
		BSPT/NPT	-	Optional
Body Material	Al. Alloy die-cast			
Filter Element Size	5, 25, 50 micron.			
Filter Element Material	Sintered Bronze		-	Optional
	Plastic (Polypropylene)		-	Standard
Filter Bowl Material	Transparent Polycarbonate		-	Standard
	Al. Alloy Metal with sight glass		-	Optional
Maximum Inlet Pressure	with PC Bowl	:	10.5 kg/cm ² (150 psig)	
	with Metal Bowl	:	17.5 kg/cm ² (250 psig)	
Maximum Operating Temperature (ambient)	with PC Bowl	:	50° C (125° F)	
	with Metal Bowl	:	80° C (175° F)	
Standard Nominal Flow Rate (at 6 bar supply pressure and 1 bar pressure drop)	G 1/4	25.2 dm ³ / sec (53 scfm)		
	G 3/8	32 dm ³ / sec (67 scfm)		
	G 1/2	50 dm ³ / sec (105 scfm)		
	G 3/4	72 dm ³ / sec (151 scfm)		
Drain	Manual		-	Standard
	Automatic		-	Optional
Regulator Type	Relieving		-	Standard
	Non-Relieving		-	Optional
Pressure Adjustment	Non-rising plastic knob		-	Standard
	Metal "T" Handle		-	Optional
Regulated secondary outlet pressure (spring range) and recommended Pressure gauge ranges available (in kg/cm ²).		Spring Range	Gauge Range	
	1	0.20 to 2.10	0 to 2.5	
	2	0.35 to 3.50	0 to 4.0	
	3	0.7 to 7.00	0 to 10.0	
	4	1.0 to 10.00	0 to 16.0	
	5	1.75 to 17.50	0 to 20.0	
Gauge size	52 mm OD			
Gauge Port size	1/4" BSPT _r .			
Gauge connection	Back			
Bowl Guard	Optional			
Mounting Facility	Optional			
Panel mounting	Possible - Optional			

ORDERING INFORMATION

Description		Manual Drain		Automatic Drain	
		With Gauge	With Out Gauge	With Gauge	With Out Gauge
Filter/Regulator (0 - 15 Bar)					
	G 1/4	RS 3332 G	S 3332	S 3332 DG	S 3332 D
	G 3/8	RS 3333 G	S 3333	S 3333 DG	S 3333 D
	G1/2	RS 3334 G	S 3334	S 3334 DG	S 3524 D
	G 3/4	RS 3336 G	S 3336	S 3336 DG	S 3336 D