

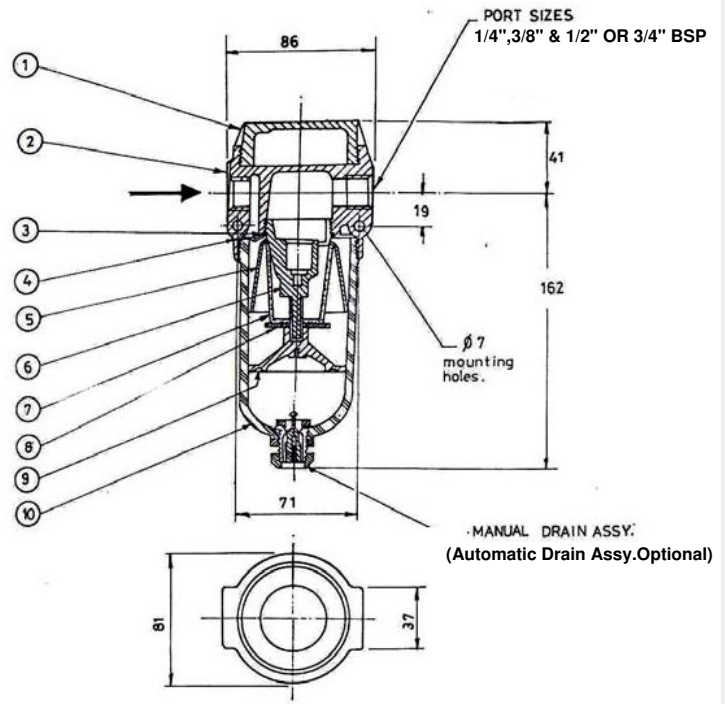
## G 1/4 - G 3/4 Filters

- Schrader Filter offers positive removal of liquid and solid impurities.
- Interchangeable manual or automatic drains.
- Threaded Polycarbonate Bowls for easy in-line cleaning.



### PART LIST

NO.	DESCRIPTION	QTY.
1	Cap	1
2	Body	1
3	Guide Seal	1
4	Lower Deflector	1
5	Filter Guide	1
6	Filter Element	1
7	Filter Shield	1
8	Baffle	1
9	Gasket FRL	1
10	Bowl Assembly	1



### SPECIFICATIONS

Pipe Threads	G 1/4, 3/8, 1/2, 3/4 BSP(F)	- Standard
	BSPT / NPT	- Optional
Filter Element Size	5, 25, 50 micron.	
Element Material	Plastic (Polypropylene)	- Standard
	Sintered Bronze	- Optional
Body Material	Al. Alloy die-cast	
Bowl Material	Transparent Polycarbonate	- Standard
	Al. Alloy Metal with sight glass	- Optional
Maximum Inlet Pressure	with PC Bowl : 10.5 kg/cm <sup>2</sup> (150 psig)	
	with Metal Bowl : 17.5 kg/cm <sup>2</sup> (250 psig)	
Maximum Operating Temperature (ambient)	with PC Bowl : 50° C (125° F)	
	with Metal Bowl : 80° C (175° F)	
Standard Nominal Flow Rate (at 6 bar supply pressure and 1 bar pressure drop)	G 1/4	47 dm <sup>3</sup> / sec (99 scfm)
	G 3/8	76 dm <sup>3</sup> / sec (160 scfm)
	G 1/2	83 dm <sup>3</sup> / sec (174 scfm)
	G 3/4	110 dm <sup>3</sup> / sec (231 scfm)
Drain	Manual	- Standard
	Automatic	- Optional
Bowl Guard	Optional	
Mounting Facility	Optional	

### ORDERING INFORMATION

Description	Type	G 1/4	G 3/8	G1/2	G 3/4
Air Filter with 25 micron filter cartridge (5 and 50 micron Optional)	Manual Drain	S 3332	S 3333	S 3334	S 3336
Air Filter with 25 micron filter cartridge (5 and 50 micron Optional)	Automatic Drain	S 3332D	S 3333D	S 3334D	S 3336D

## G 1 - G 1 1/2 Filters – Large

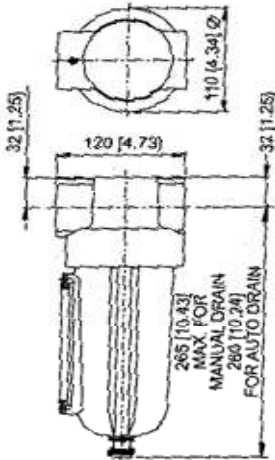
- Large Flow Range general purpose Filter removes up to 99% of the liquid water.
- Design of the Filter elements gives both surface and depth filtration for cleaner air.
- Ideally suited for header lines and large flow rated tools and cylinder operations.



### SPECIFICATIONS

PARAMETERS	SPECIFICATIONS
Pipe Threads	G1, 1¼, 1½ Parallel(F) - Standard
Filter Element Size	25 micron
Element Material	Sintered Bronze
Body Material	Al. Alloy die-cast
Bowl Material	Al. Alloy Metal with sight glass - Standard
Maximum Inlet Pressure	250psig(17.5bar)
Maximum Operating 80°C(175°F) Temperature (ambient)	
Standard Nominal Flow Rate+ (at 87psi(6bar) supply pressure and 14.5psi(1bar) pressure drop)	700scfm(333dm <sup>3</sup> /sec)
Drain	Manual

+ Values indicated are with 50 micron elements, with finer elements these values will be lower.



### ORDERING INFORMATION

Description	G1 Manual Drain	G1 Auto Drain	G1 1/2 Manual Drain	G1 1/2 Auto Drain
Model	S3338	S3338D	S3340	S3340D
Flow (dm <sup>3</sup> /s)	700 scfm (333 dm <sup>3</sup> /sec)	700 scfm (333 dm <sup>3</sup> /sec)	700 scfm (333 dm <sup>3</sup> /sec)	700 scfm (333 dm <sup>3</sup> /sec)