

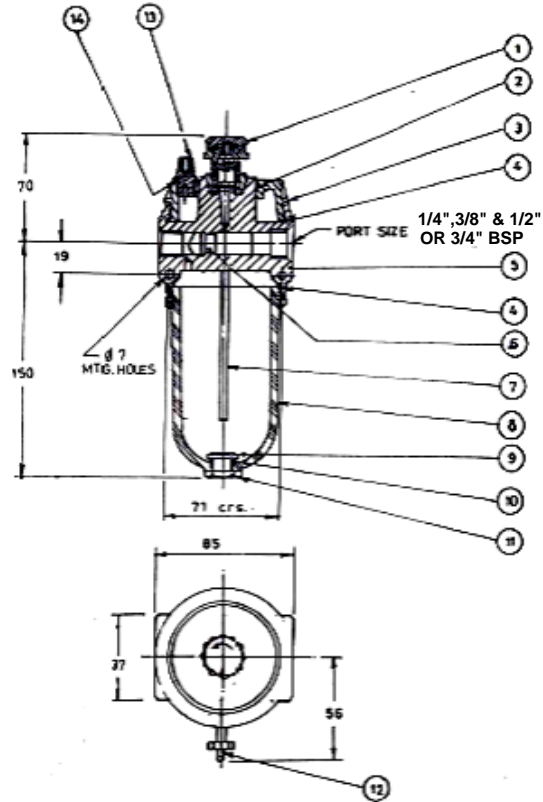
### G 1/4 - G 3/4 Lubricator

- Schrader foremost Oil-Fog Lubricator produce oil particles suspended in the air line as a fine mist, which travel alongwith the compressed air for lubricating valves, cylinders and pneumatic tools.
- Very fine control of oil delivery through adjusting screw.
- Refilling of oil without shutting of air.



#### PART LIST

NO.	DESCRIPTION	QTY.
1	Sight Feed Dome Assembly	1
2	Cap O Ring	1
3	Cap	1
4	Gasket	1
5	Body	1
6	Retainer Assy.	1
7	Sihon Tube Assembly	1
8	Bowl- Blank	1
9	Blank Insert	1
10	Inside Gasket	1
11	Insert Nut	1
12	Vent Valve Assembly	1
13	Plug Filter	1
14	O Ring -Plug Filter	1



#### SPECIFICATIONS

Pipe Threads	G 1/4, 3/8, 1/2, 3/4	Taper (F)	-	Standard
		BSP / NPT	-	Optional
Type	Oil Fog			
Body Material	Al. Alloy die-cast			
Bowl Material	Transparent Polycarbonate		-	Standard
	Al. Alloy Metal with Sight Glass		-	Optional
Bowl Capacity	0.2 litre (Polycarbonate/ Metal)		-	Standard
	1.0, 8.0, 23.0 litre (Metal)		-	Optional
Maximum Inlet Pressure	with PC Bowl	: 150 psig (10.5 kg/cm <sup>2</sup> )		
	with Metal Bowl	: 250 psig (17.5 kg/cm <sup>2</sup> )		
Maximum Operating Temperature (ambient)	with PC Bowl	: 125° F (50° C)		
	with Metal Bowl	: 175° F (80° C)		
Standard Nominal Flow Rate (at 6 bar supply Pressure and 1 bar pressure drop)	G 1/4	33.0 dm <sup>3</sup> /sec (69 scfm)		
	G 3/8	33.0 dm <sup>3</sup> /sec (69 scfm)		
	G 1/2	52.0 dm <sup>3</sup> /sec (109 scfm)		
	G 3/4	58.5 dm <sup>3</sup> /sec (123 scfm)		
Recommended Lubricants	Use any misting type oil rated 50 -200 SSU (ISO grade 7 - 46) at 38° C (100° F) Use oils which are compatible with the material of construction.			
Bowl Guard	Optional			
Mounting Facility	Optional			

#### ORDERING INFORMATION

Description	G 1/4	G 3/8	G1/2	G 3/4
Lubricator	S 3482	S 3483	S 3484	S 3486

**G 1 - G 1/2 Lubricator-Large**

- Schrader's Designer Series Large Flow Range Lubricator is useful to lubricate air tools, cylinders, valves, air motors and other air driven devices.
- Use Oil-fog model to lubricate a single tool /device or choose 'Micro-Mist' in systems with complex piping or multiple points of lubrication.



G1 – G1/2 Lubricator-Large

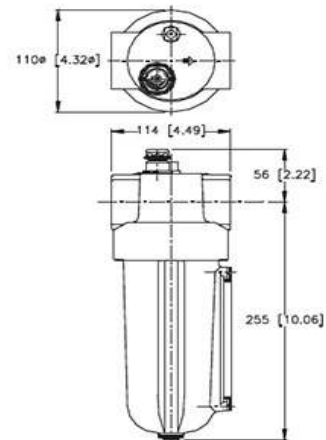
**SPECIFICATIONS**

Pipe Threads	G1, 1 ¼ , 1 ½ Parallel(F)
Type	Micro - Mist
Body Material	Al. Alloy die-cast
Bowl Material	Al. Alloy Metal with Sight Glass
Bowl Capacity	1 litre (Metal)
Maximum Inlet Pressure (Metal Bowl)	250psig(17.5kg/cm <sup>2</sup> )
Maximum Operating Temperature (ambient) (Metal Bowl)	175°F(80°C)
Standard Nominal Flow rate (at 87 PSI supply and 14.5 PSI drop)	410 scfm (195 dm <sup>3</sup> /sec)
Minimum Required Flow (at 87 psi Inlet)	7.2 scfm Use any misting type oil rated 50 -200 SSU
Recommended Lubricants	(ISOgrade7-46) at 38 °C(100F) Use oils which are compatible with the material of construction.
Mounting Facility	Optional

**INFORMATION**

Description	G1	G1 1/2
Lubricator	S3488	S3490

Size	Flow (scfm)	Start point (dm <sup>3</sup> /s)	Bowl Capacity
G1	410 scfm	7.2 scfm	1 Litre
G1 1/2	410 scfm	7.2 scfm	1 Litre



PMA 11/C