

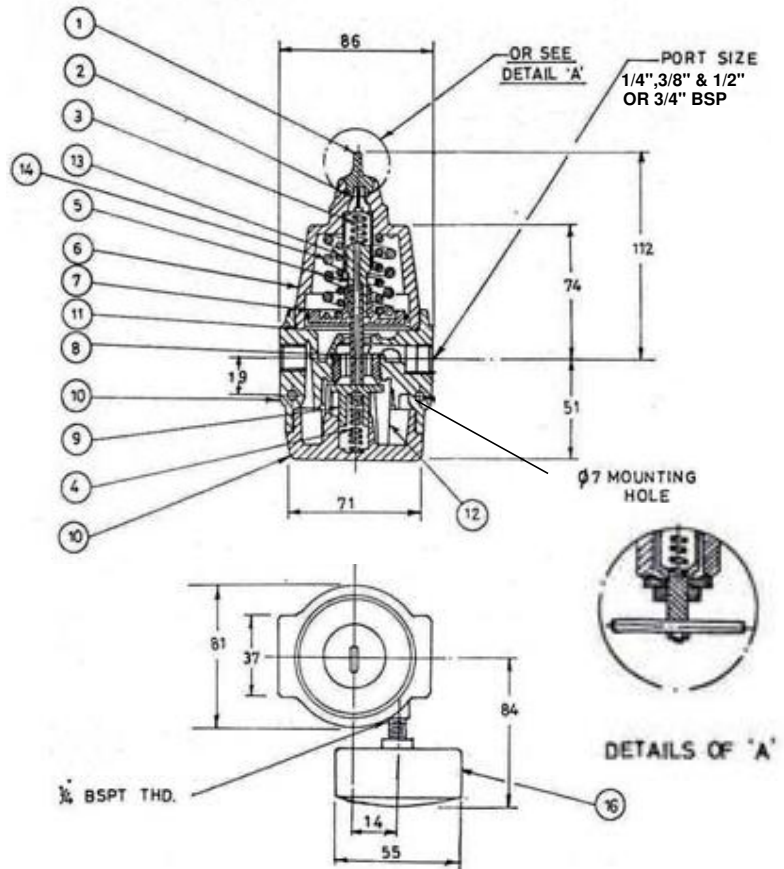
## G 1/4 - G 3/4 Regulator

- Schrader foremost utility Piston Type Regulator - Citation Series - offers easy adjustment of the non- rising knob through the entire range of pressure (less than two inch pounds constant torque).
- Rapid response.
- High flow capacity



### PART LIST

NO.	DESCRIPTION	QTY.
1	Konb Assembly	1
2	Coupling	1
3	Coupling Spring	1
4	Valve	1
5	Adj. Screw Assembly	1
6	Bonnet	1
7	Piston Assembly	1
8	Valve Seat	1
9	Valve Assembly	1
10	Body Assembly	1
11	Gasket	1
12	Screen	1
13	Spring Heavy	1
14	Spring Heavy	1
15	Cap Bottom	1
16	Gauge 55 M.M. Dia	1



### SPECIFICATIONS

Pipe Threads	G 1/4, 3/8, 1/2, 3/4 Taper (F) - Standard	
	BSP / NPT - Optional	
Type	Relieving Piston - Standard	
	Non-Relieving Piston - Optional	
Body Material	Al. Alloy die-cast	
Adjustment	Non-rising plastic knob - Standard	
	Metal "T" Handle - Optional	
Maximum Inlet Pressure	28.0 kg/cm <sup>2</sup> (400 psig)	
Max. Operating Temperature (ambient)	80° C (175° F)	
Regulated secondary outlet pressure (spring range) and recommended Pressure gauge ranges available (in kg/cm <sup>2</sup> )	Spring Range	Gauge Range
	0.21 to 2.10	0 to 2.5
	0.35 to 3.50	0 to 4.0
	0.70 to 7.00	0 to 10.0
	1.0 to 10.00	0 to 16.0
	1.75 to 17.50	0 to 20.0
Gauge size	52 mm OD	
Gauge Port size	G 1/4 BSPT r .	
Gauge connection	Back	
Standard Nominal Flow Rate (at 10 bar supply pressure and 1 bar drop in 6 bar sec. pressure)	G1/4	28 dm <sup>3</sup> / sec (59 scfm)
	G 3/8	36 dm <sup>3</sup> / sec (77 scfm)
	G 1/2	60 dm <sup>3</sup> / sec (126 scfm)
	G 3/4	83 dm <sup>3</sup> / sec (174 scfm)
Mounting Facility	Optional	
Panel mounting	Possible - Optional	

**ORDERING INFORMATION**

Description		G 1/4	G 3/8	G1/2	G 3/4
Regulator ( 0 - 15 Bar )	With Gauge	S 3462 G	S 3463 G	S 3464 G	S 3466 G
	With Out Gauge	S 3462	S 3463	S 3464	S 3466

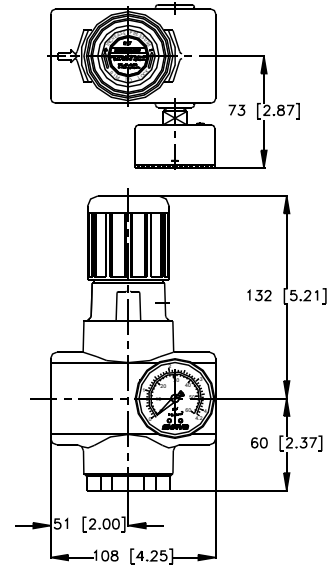
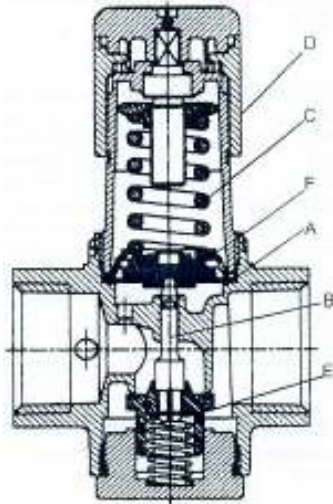
Note : Add suffix 'G' for pressure gauge

## G 1 - G 1-1/2 Regulator

- High Flow Pressure Regulator reduce the system pressure to a desired level and maintain it at a constant level despite change in inlet pressure and changes in downstream flow requirements.



### Cutsectional & Dimensional Detail



### SPECIFICATIONS

Pipe Threads	G 1, 1 1/2 Parallel (F)		- Standard
Type	Relieving		- Standard
	Non-Relieving		- Optional
Body Material	Al. Alloy die-cast		
Adjustment	Non-rising plastic knob		- Standard
	Metal "T" Handle		- Optional
Maximum Inlet Pressure	300 psig (21.0 kg/cm <sup>2</sup> )		
Max . Operating Temp. (ambient)	175° F (80°C)		
Regulated secondary outlet pressure (spring range) and recommended Pressure gauge ranges available (in kg/cm <sup>2</sup> )	Spring Range	Gauge Range	
	0.21 to 2.1	0 to 2.5	
	0.35 to 3.50	0 to 4	
	0.87 to 8.75	0 to 10	
	1.0 to 10.00	0 to 16	
	1.75 to 17.50	0 to 20	
Gauge size	52 mm OD		
Gauge Port size	Rc 1/4 BSPT.		
Gauge connection	Back		
Standard Nominal Flow rate (at 10 bar supply pressure and 1 bar pressure drop of 6 bar secondary pressure)	180 dm <sup>3</sup> / sec (378 scfm)		
Panel Mounting	Possible - Optional		

### ORDERING INFORMATION

Description		G 1	G 1-1/2
Regulator ( 0 - 15 Bar )	With Gauge	S 3468 G	S 3470 G
	With Out Gauge	S 3468	S 3470

Note : Add suffix 'G' for pressure gauge

**G 1 - G 1-1/2 Regulator**

**DUNCAN**  
ENGINEERING LIMITED

PMA  
11/□