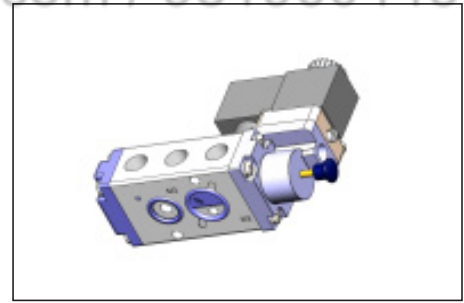


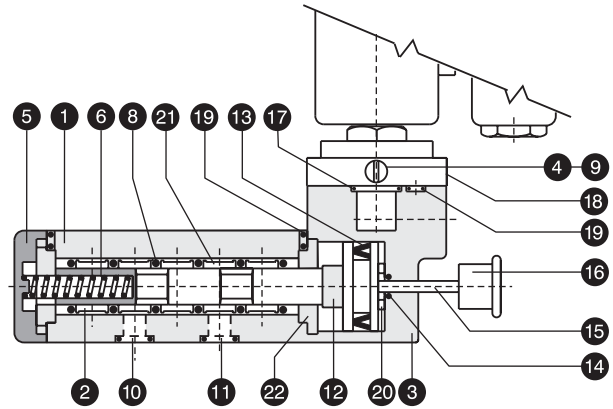
Solenoid Operated Namur Valve 5/2 Adaptable to 3/2

- Streamlined construction.
- Contoured dynamic seals ensures longer life.
- Higher flow capacities.
- Manual Override as a standard feature.

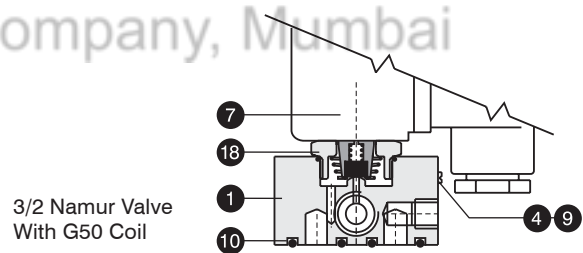


PART LIST

NO.	DESCRIPTION	QTY.	
		Single Sol.	Double Sol.
1	Valve body	1	1
2	Spool	1	1
3	Solenoid housing	1	2
4	Manual override	1	2
5	Spring housing	1	-
6	Compression Spring	1	-
7	Coil with plug in connectors	1	2
8	Spool seal	5	5
9	M. O. pin 'O' ring	1	2
10	Subbase 'O' ring	1	1
11	Gasket	1	1
12	Piston	1	2
13	Seal for piston	1	2
14	'O' ring for plunger	1	2
15	Plunger	1	2
16	Knob for plunger	1	2
17	'O' ring for tube assly.	1	2
18	Tube assly.	1	2
19	'O' ring for seal housing	4	4
20	Washer	1	2
21	Shell	5	5
22	Bush	2	2



5/2 Single Solenoid Namur Modular Spool Valve



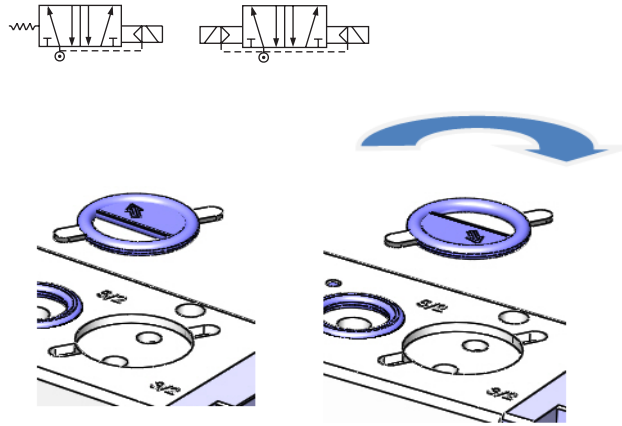
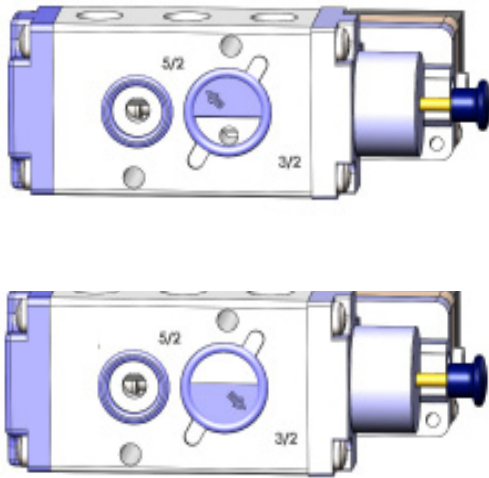
3/2 Namur Valve With G50 Coil

Seal kit consists of items (2+8), 9, 10, 11, 13, 14, 17, 19 & 21.

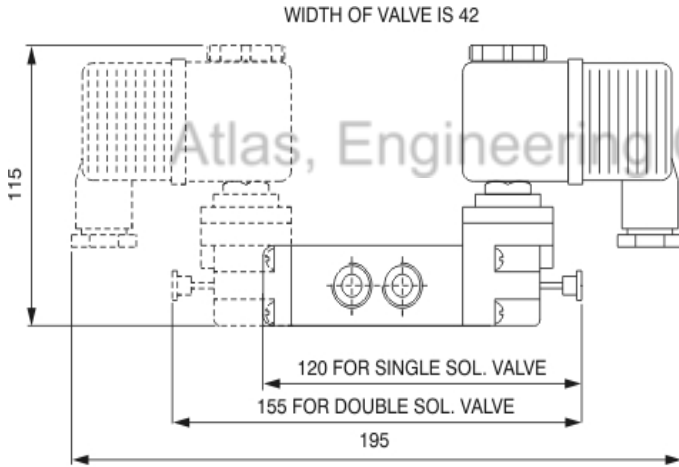
COIL SPECIFICATIONS

TYPE	VALVE WITH (G25 - 4W) COIL	VALVE WITH (G50 - 8W) COIL
Construction	SS plunger with NBR seals, SS magnet core assembled with brass adoptor	
Coil Voltages	AC : 24, 110V, 50 Hz DC : 24V	AC : 24, 110, 240V 50 Hz DC : 12, 24, 48, 110, 240V
Voltage range	± 10%	+ 10% / - 15%
Power consumption	AC : Pull : 7.5 VA, Hold : 5 VA DC : 3 WATT	AC : Pull 21VA, Hold : 14VA DC : 10 WATT
Duty cycle	100%	
Class of insulation	F (Winding wire of class 'H' insulation)	
Degree of protection	IP 65 - IS 2147	
Cable connector	DIN 43650 - PG 9	PG 11

Converting 5/2 To 3/2



G1/4 - 5/2 DOUBLE SOLENOID NAMUR MODULAR SPOOL VALVE

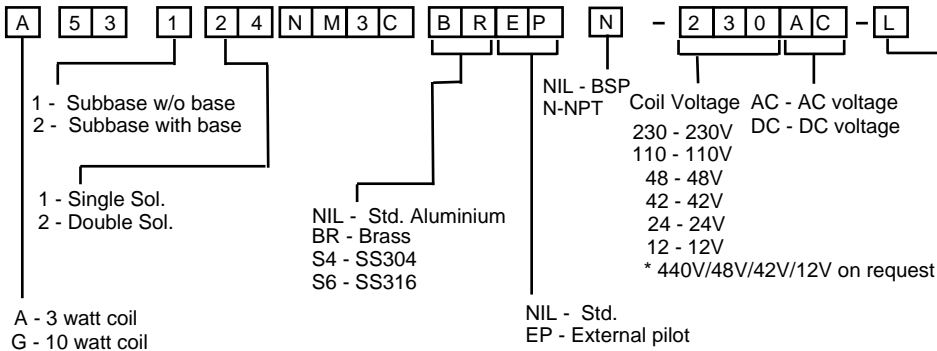


SPECIFICATIONS

Medium	Compressed air, Filtered
Design	Spool Type with Spring Return
Working pressure	1.8 - 10 Kg./sq.cm.
Ambient / fluid temp.	- 10° C to 55° C
Cv (Nominal flow)	1.0 (1000 L/min)
Response time at 5 Bar	On time : 10 ms. Off time : 35 ms.
Manual override	Screw Type, Detent
Optional Features	PIC with Light Indicator External Pilot Actuation
Materials	Body : Aluminium/Brass/SS304/SS316 Spool : Aluminium Seals : NBR / HNBR

PART NOS.

ORDERING INFORMATION



ORDERING INFORMATION SEALKIT

Port	Sub base	Side ported
Single Solenoid	BSN14	SK 53114NM3C
Double Solenoid	BSN14	SK 53114NM3C

NIL - Without PIC/LED
P - PIC G25/G50
L - LED G25/G50

Note : All internal components will be same as per std. valve in Brass/SS304/ SS316 MOC valve except body, spring housing & solenoid housing.