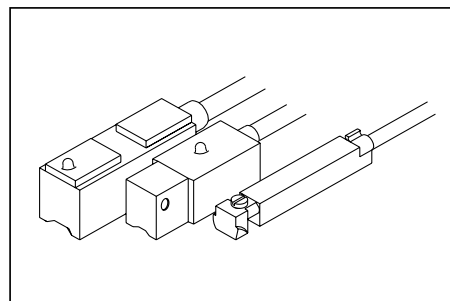


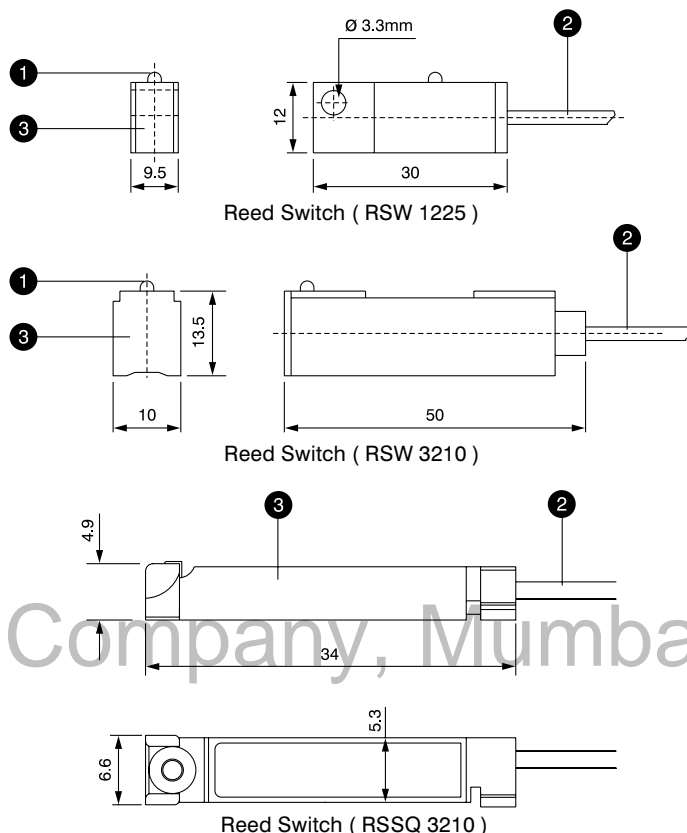
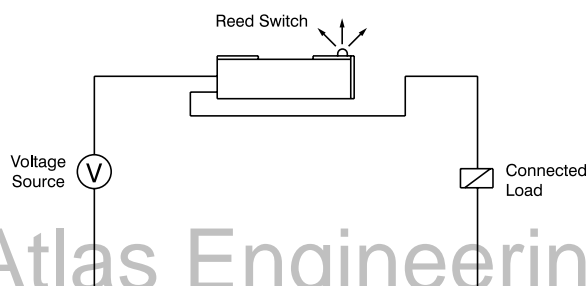
Magnetic Proximity Reed Switches for Cylinders

- Useful as contactless piston position indicator for cylinders.
- Light emitting diode provided as a standard feature for easy indication.
- Incorporates integral protective circuit for longer life.
- Ideal for integration of multiple electropneumatic functions.
- Suitable for any voltage upto 240 V AC / DC.



PART LIST

NO.	DESCRIPTION	QTY.
1	Light emitting diode	1
2	Two cored cable	1
3	Housing	1



NOTE : Please ensure that connected electrical load and the switching current are within specified limits. Excess of any parameter can cause failure of reed switch.

SPECIFICATIONS

Part no.	RSW 1225	RSW 3210	RSSQ 3210	
			RSSQ 3210A	RSSQ 3210B
Suitable for	Ø 12 to Ø 25 ISO cylinders	Ø 32 to Ø 100 Round tube cylinders Ø 32 to Ø 100 Square tube cylinders Ø 1-1/2" to Ø 4" Small bore cylinders	Ø 32 to Ø 100 Square tube cylinders	
Design	Normally open reed, actuated by magnetic field			
Mounting	Fitted with SS clamp on barrel	For Round tube cyl. : With reed switch bracket mounted on tie rod For Square tube cyl. : With reed switch bracket mounted in square slot	Direct insertion/removal in the slot provided on the square tube	
Connection	Two cored PVC cable, 2 meters long (2 X 0.14 mm ²)			
Max. switching capacity	6 W.	10 W.	6 W.	10 W.
Max. switching current	0.20 amps.	0.50 amps.	0.20 amps.	0.5 amps.
Voltage range	24 - 240 Volts AC or DC		5 - 130 V AC or DC	5 - 240 V AC or DC
Degree of protection	IP 67			
Temperature range	- 5°C to 60°C			